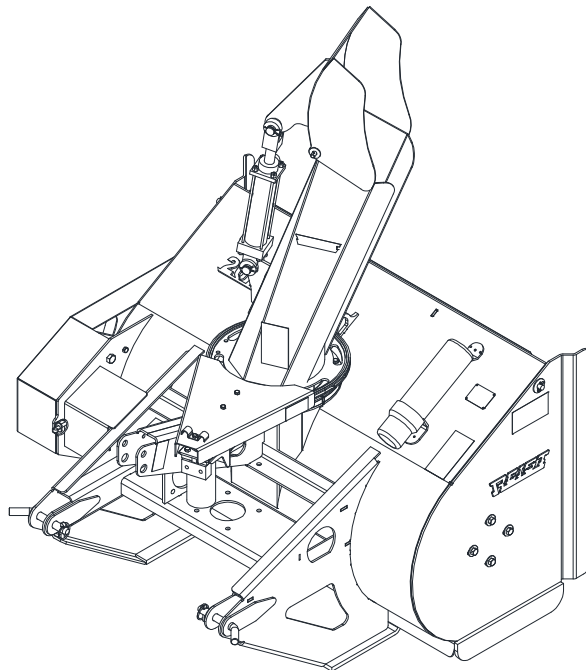




INNOVATION WORKING FOR YOU

**2000 Series
Snow Thrower
Operator's and Parts Manual**



REIST Industries Inc.
100 Union Street
Elmira, Ontario, Canada
N3B 2Z2

Phone: 519-669-1501
Fax: 519-669-3021
Toll Free: 1-877-467-3478
www.reistindustries.com

Revised: October 2011
Effective Serial Number D10136 and up

Contents

INTRODUCTION.....	4
PRODUCT CONFIGURATION	5
GENERAL SAFETY PRECAUTIONS	6
OPERATION AND TRANSPORTATION ON PUBLIC ROADS AND AREAS	7
SAFETY SIGN LOCATION	8
SAFETY SIGN LOCATION	9
SETUP INSTRUCTIONS	10
HYDRAULIC DRIVE	11
Positioning	11
MAINTENANCE	11
USE OF SNOW THROWER	12
OPERATION.....	12
OPERATIONAL HINTS.....	12
PARTS	14
Main Thrower Assembly.....	14
PTO Drive Option.....	15
Hydraulic Motor Drive Option (6000 Series motor).....	16
Manual Hood Turner	17
Hydraulic Hood Turner	18

Record your product information for future reference:

Model Number: _____

Serial Number: _____

In Service Date: _____

Sold By: _____

INTRODUCTION

Thank you for choosing a REIST 2000 Series Snow Thrower.

We feel confident that this equipment will meet your expectations in workmanship, reliability and performance when used as designed. This manual is to assist you with the safe operation of the REIST 2000 Series Snow Throwers. It also has a parts list to help you when replacement parts are required. Any person who will be assembling, attaching, maintaining, or operating this product and the prime mover to which it is attached, are required to read and completely understand the information and instructions contained in this manual and that of the prime mover. Always obtain further assistance by contacting the dealer from which this product was purchased or by contacting REIST Industries at the telephone number or address below. Keep this manual available for reference whenever this product is being handled or used and we recommend that it is reviewed periodically and before seasonal use. Provide this manual to any new owners and/or operators and ensure they fully understand the safe operation of this equipment before it is placed in service.

Replacement copies of this manual are available for downloading at:
www.reistindustries.com

Innovation Working For You

REIST Industries Inc.
100 Union Street
Elmira, Ontario, Canada
N3B 2Z2

Phone: 519-669-1501
Fax: 519-669-3021
Toll Free: 1-877-467-3478

REIST Industries USA Inc.
844 E. Greenwood Street
Abbeville, South Carolina
USA 29620

Phone: 1-864-366-0172
Toll Free: 1-888-369-1444

The illustrations and information contained within this manual were current at the time of publication. Under our policy of continuous improvement, we reserve the right to change specifications and designs without prior notice. The illustrations do not necessarily show the standard version of product offered by REIST Industries.

PRODUCT CONFIGURATION

To ensure that the right size of Snow Thrower is matched to the prime mover, REIST Industries Snow Throwers are sized as follows:

2000 Series Snow Thrower

- Model 2048 - 48" wide, 540 PTO or Hydraulic Drive, 870 lb (395 kg) weight, 25 - 55 input hp, using a CAT I Hitch mount
- Model 2060 - 60" wide, 540 PTO or Hydraulic Drive, 980 lb (445 kg) weight 25 - 55 input hp, using a CAT I Hitch mount
- Model 2072 - 72" wide, 540 PTO or Hydraulic Drive, 1080 lb (490 kg) weight 25 - 55 input hp, using a CAT I Hitch mount



WARNING!

Exceeding the recommended specifications can result in damage to the equipment and will void all REIST Industries warranties.

Each model is either hydraulic or PTO driven and comes standard with a manual hood turner and manual deflector and can be equipped with several options, such as:

- Hydraulic hood turner
- Hydraulic deflector
- Two stage deflector kit
- Hydraulic diverter valve

The following references are used throughout this Operator's and Parts Manual:

Front or Rear Mounted	Orientation that is determined in relation to the operator of the equipment when seated in the normal operating position of the prime mover
Right, Left, Front, Rear	Orientation that is determined in relation to the operator of the equipment when seated in the normal operating position of the prime mover.
Attachment, Implement	Refers to the Snow Thrower whether attached or separate from the prime mover
Prime Mover	The engine-driven machine to which this product is attached
Equipment	Refers to the Implement and or prime mover whether separate or connected
WARNING, DANGER, IMPORTANT	A notice that relates to the safe and efficient operation of the Snow Thrower or prime mover. Read and understand the reference before attaching or operating the Snow Thrower or the prime mover.

GENERAL SAFETY PRECAUTIONS

Careful operation is the best assurance against accidents. It is the owner's responsibility to make sure that all operators read and understand this manual and follow the recommendations, cautions and warnings before connecting to a prime mover and operating the equipment. The REIST Snow Thrower was designed for use in snow clearing / removal applications only. Do not use with any other materials.

Familiarize yourself with all controls and know how to quickly stop the equipment and all rotating parts in the case of an emergency.

Never let an untrained person or a child operate equipment.



WARNING!

DO NOT MODIFY THE SNOW BLOWER OR PRIME MOVER

Modifications may weaken the integrity of the Snow Blower and may impair the operation, safety, and performance of the product. When making repairs, only qualified technicians using the manufacturer's genuine parts, following authorized instructions, shall attempt the repair. Never modify any ROPS (Roll Over Protection Structure) or FOPS (Falling Object Protective Structure) equipment or other safety device or remove guarding. Any modifications must be sanctioned in writing by an authorized representative of the manufacturer.



WARNING!

MAINTAIN AND REPAIR EQUIPMENT SAFELY

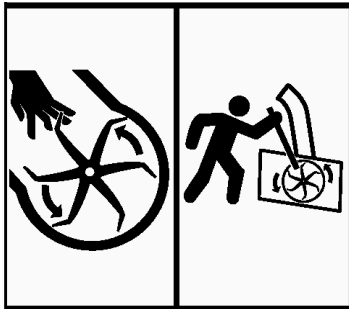
- Do not wear loose clothing, or any accessories that can catch in moving parts
- If you have long hair, cover or secure it so that it does not become entangled in the equipment
- Work on a level surface in a well-lit area.
- Always lower raised equipment to the ground or securely support it to prevent unintentional movement
- Remove and retain the prime mover's ignition key
- Use the correct tool for the job at hand. Make sure they are in good condition for the task required
- Wear the protective equipment specified by the tool manufacturer
- Use care when working on hydraulic systems and understand how to check for and release trapped hydraulic pressure



WARNING!

STAY CLEAR OF ROTATING OBJECTS

Keep hands, feet and clothing away from power driven rotating parts.



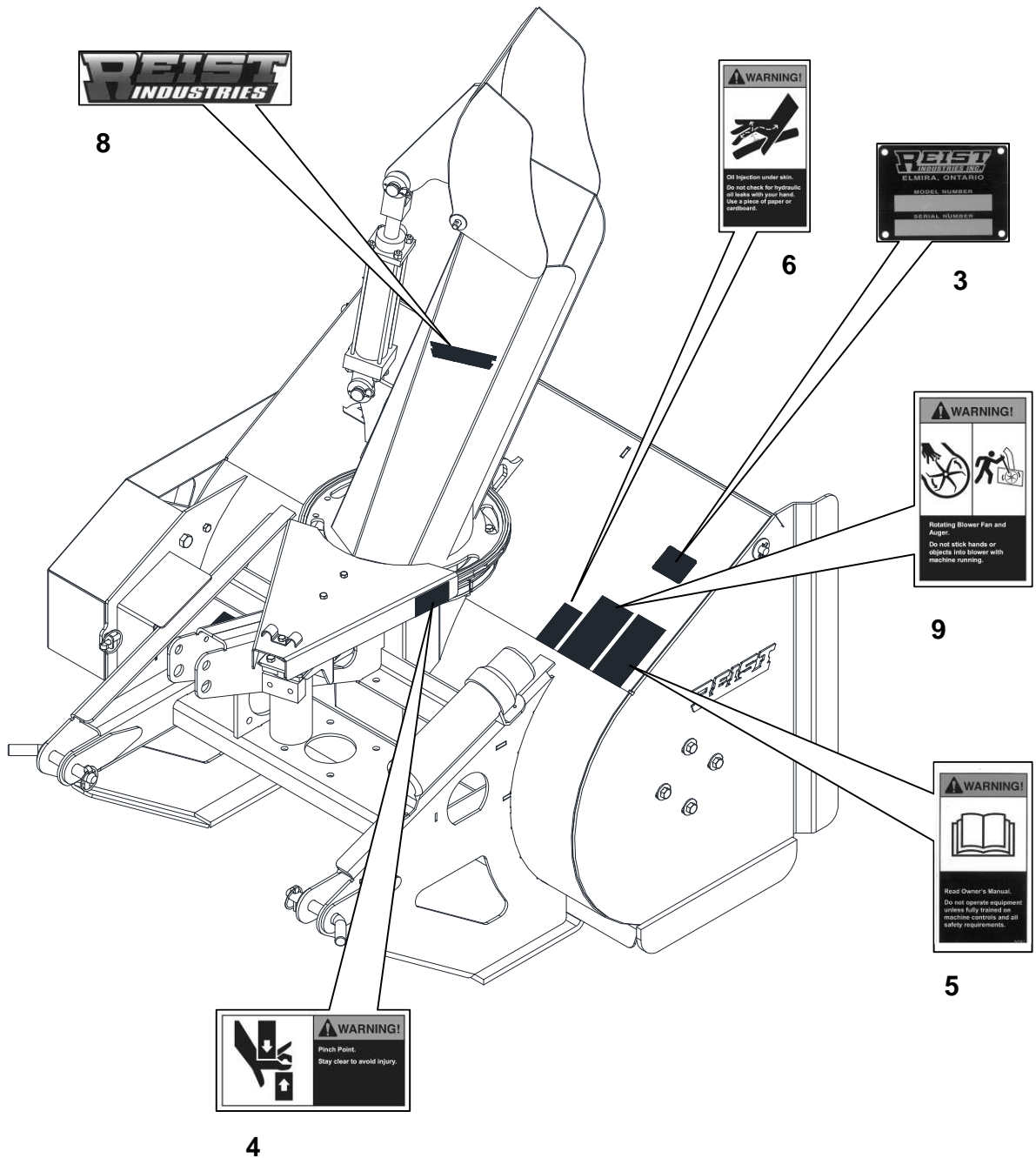
Never use your hands to clear a clogged auger. Never allow anyone to reach into the chute, force objects (i.e. bars, poles, etc.) down the chute, or otherwise come in contact with a rotating fan or with a non-rotating clogged fan or auger. Never allow anyone to reach into the chain drive housing. The auger can crush and/or dismember. Keep everyone clear of the auger until the prime mover engine is off and the hydraulic pressure has been relieved.

OPERATION AND TRANSPORTATION ON PUBLIC ROADS AND AREAS

Always adhere to the local laws and regulations concerning traveling or operating on public roadways and areas. Clean all lights, reflectors and mirrors ensuring that all lighting is in working order before moving. Know the area that the discharged snow is to be placed is free from hazards and that the discharged snow will not create a hazard, i.e. reduce visibility for vehicular traffic or pedestrians. Use caution when directing the discharge as hazardous objects (stones, ice, etc.) may inadvertently be discharged along with the snow. Do not engage or disengage the PTO while roading. Always be alert while transporting or operating the equipment. Select a safe ground speed when transporting from one area to another. When operating or driving on roadways, travel in such a way that faster moving vehicles may pass you safely.

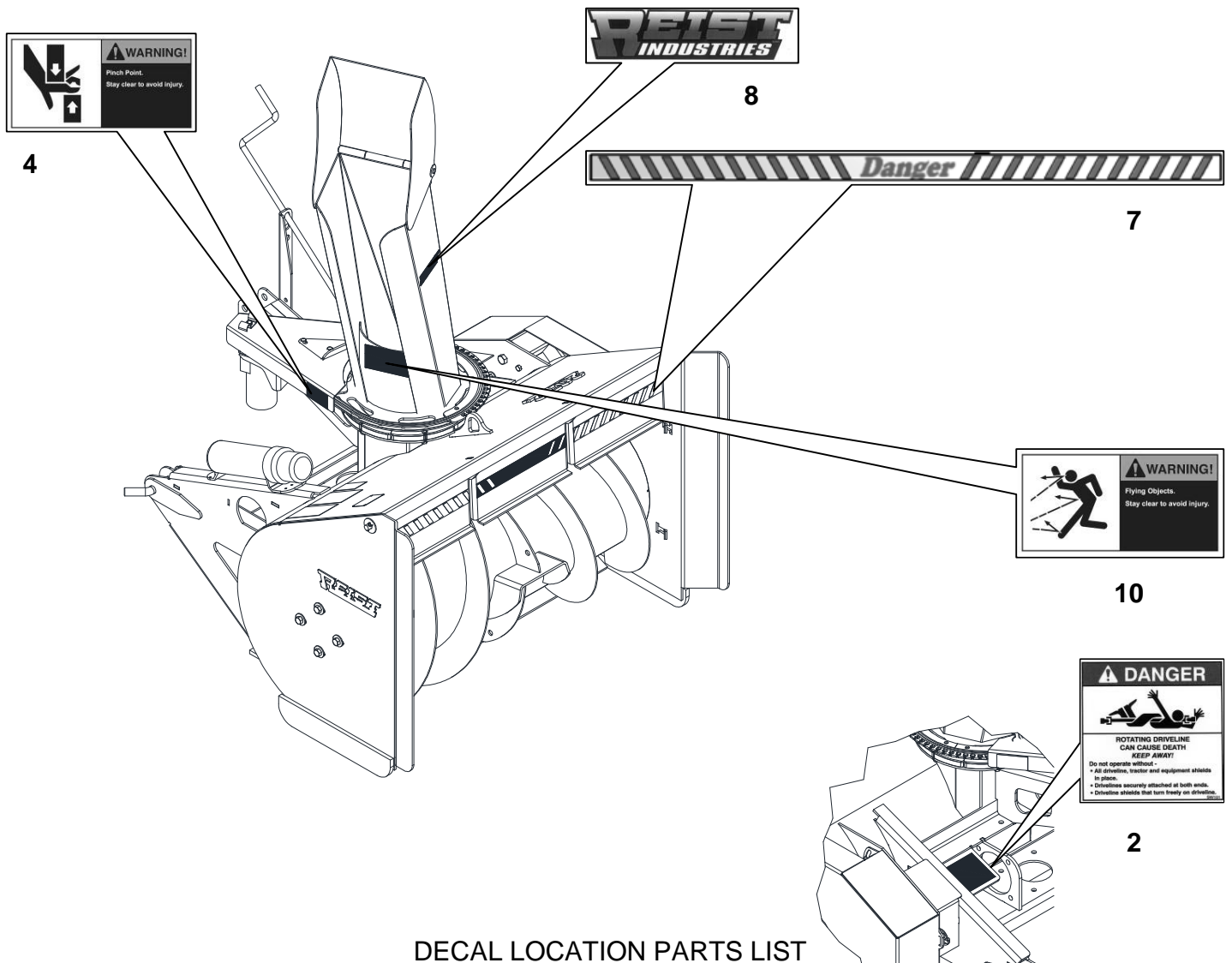
SAFETY SIGN LOCATION

Contact REIST Industries if replacement safety signs are required.



SAFETY SIGN LOCATION

Contact REIST Industries if replacement safety signs are required.



DECAL LOCATION PARTS LIST

Item	Qty	Part Number	Description
1	1	67.222.000	Manual Holder
2	2	DD100	Drive Line Decal
3	1	Serial	Serial Number Plate
4	3	WD104	Pinch Point Decal
5	1	WD103	Read Manual Decal
6	1	WD102	High Pressure Decal
7	1	DD108	Danger Strip Decal
8	2	RD107	REIST Decal
9	2	WD101	Rotating Fan Decal
10	2	WD105	Flying Object Decal

SETUP INSTRUCTIONS

Improper installation, operation, or maintenance of this equipment could result in serious injury or death. FOLLOW ALL SAFETY INSTRUCTIONS IN THIS MANUAL AND THE PRIME MOVER'S MANUAL(S).

Refer to the operator's manual(s) for your prime mover and follow the mounting instructions contained therein.

Once attached, and it is safe to do so, carefully raise the Snow Thrower and cycle the lift cylinders to check clearances and to verify that all mounting procedures have been successfully completed.

Know the output speed of the Power Take Off (PTO).

Note a 540 rpm PTO drive has 6 splines or teeth and is 1 $\frac{3}{8}$ inch in diameter.



WARNING!

STAY CLEAR OF ROTATING OBJECTS

Keep hands, feet and clothing away from power driven rotating parts.

PTO DRIVE

The Snow Thrower hitch is a category I. Use the proper pin sizes when attaching the Snow Thrower to the prime mover. Do not attach the PTO driveline at this time.

- a. Always ensure that the PTO shaft is proper length! Make sure PTO shaft doesn't bottom out or come apart throughout the range of movement for the 3 PTH.
- b. Connect the Snow Thrower to the lower arms of the 3 point hitch. Be sure the 3 point hitch is set in the non-sway position (See prime mover manual for details)
- c. Measure the distance from the end of the prime mover PTO shaft to the end of the gear box shaft on the Snow Thrower
- d. Lay driveline on flat surface and measure the distance from one end to the other in the most collapsed position
- e. If distance from the end of the prime mover PTO shaft to the end of the gear box shaft on the Snow Thrower is greater than 9" more than the overall length of the collapsed driveline, the driveline may be too short. When the PTO shaft is at the longest position there should be a minimum of 3" overlap.
- f. Once the driveline is installed, connect the upper link
- g. When it is safe to do so, slowly lift the Snow Thrower thru the complete arc of the 3 point mount. Make sure driveline does not bottom out at anytime throughout the arc. Make sure the driveline shields are in place and do not separate

HYDRAULIC DRIVE

The Snow Thrower hitch is a category I. And usually has a quick hitch adaptor for either skid steer or front end loader.

- a. Connect the Snow Thrower to prime mover. Be sure the quick attach plate is locked (See prime mover manual for details)
- b. Connect the hydraulic lines
- c. When it is safe to do so, slowly lift the Snow Thrower. Make sure hydraulic hoses have clearance and will not get caught or pinched when lifting.

Positioning

Following attachment to the prime mover, ensure that the Snow Thrower's cutting edge is parallel to the ground. If not, adjust the lift arms on the prime mover accordingly.

The working clearance to the ground is determined by surface beneath the snow where your Snow Thrower is being operated.

- If the surface is soft / uneven or contains gravel, stone or other material that might be easily picked up and thrown by the Snow Thrower, then tilt the Snow Thrower so that there is more pressure on the skid shoes thereby increasing the working clearance between the surface and the Snow Thrower
- If the surface is hard and smooth, like concrete or asphalt, the Snow Thrower can be positioned so that there is less pressure on the skid shoes and more pressure on the cutting edge to minimize residual snow following each pass

MAINTENANCE

Refer to the General Safety Precautions, page 6 of this manual before performing any maintenance.

1. Always ensure the Snow Thrower is properly installed, the prime mover is positioned on a level surface with the park brake set and the Snow Thrower positioned on the ground
 2. Shut-off the engine and remove and retain the ignition key
 3. Chock the wheels to prevent movement and release residual hydraulic pressure
- Grease bearings every 100 hrs with EP2. **Do Not Over Grease**
 - Check the chain tension adjustment and ensure that the chain does not have any slack. If the tensioner needs to be adjusted, slightly loosen bolt on outside of frame and with a pipe wrench, turn the casting until the arm has 10 to 15 degrees of total travel between being fully engaged with the chain and its clear position
 - Grease PTO crosses daily (or 8 hours of operation) with EP2 (PTO drive only)
 - Check oil in gearbox at the level check plug every 500 hrs. Use 80W90 gear oil (PTO drive only)

- At the beginning of each season, ensure that all fasteners are properly torqued, all safety guards are in place and that operator's manual is reviewed and understood
- At the end of season, perform all maintenance activities greasing shafts and replacing gear box oil, cap and protect exposed hose ends (if so equipped) and the PTO drive splines. Always check for missing or damaged parts and repair as required

USE OF SNOW THROWER

OPERATION

Starting the Snow Thrower:

- Be sure the area is clear of all bystanders
- Refer to the prime mover starting instructions
- Run the engine at low idle and slowly engage the PTO/hydraulic control
- Slowly increase the prime mover engine RPM to achieve the rated PTO speed. Never exceed rated speed

Stopping Machine:

- Slowly decrease engine speed to low idle
- Wait until the Snow Thrower has slowed to low engine idle speed before disengaging PTO/hydraulic drive
- Shut down the prime mover in accordance to instructions and wait for moving parts to stop and relieve residual hydraulic pressure before approaching the Snow Thrower

Ground Speed:

Travel speed is governed by the operating conditions including the depth of snow, the density (wetness) and the area being cleared including the surface and slopes. It is the responsibility of the operator to note the condition of the job being done and set the speed to obtain the proper clearing rate to prevent plugging and maintain safe control of machine.

The PTO driveline is equipped with a shear bolt that protects the drive system components from shock loads if the machine strikes an obstruction

OPERATIONAL HINTS

- Always ease the prime mover slowly into the snow. Do not allow the engine of the prime mover to lug or stall
- In deep or heavy snow, you may have to remove the snow in more than one pass
- Allow the snow to be cleared from the Snow Thrower by momentarily stopping the prime mover or slowing the speed of travel

- Remember to disengage the PTO when raising or lowering the Snow Thrower
- **DO NOT USE THE SNOW THROWER TO PUSH SNOW – always engage snow with the Snow Thrower operating**

The most effective method of discharging snow is to blow the snow as high as possible downwind, to minimize drifting in the cleared area. The hood deflector will allow you to adjust the height and distance that the snow is thrown. You can reduce the distance and force that the snow is thrown by reducing the tractor's rpm. When operating at low engine rpm's, allow time for the snow to clear from the thrower by also reducing the travel speed. Your Snow Thrower is equipped with hood rotation which allows the operator to change the direction of the snow being thrown. Always be aware of where you are throwing the snow.



WARNING!

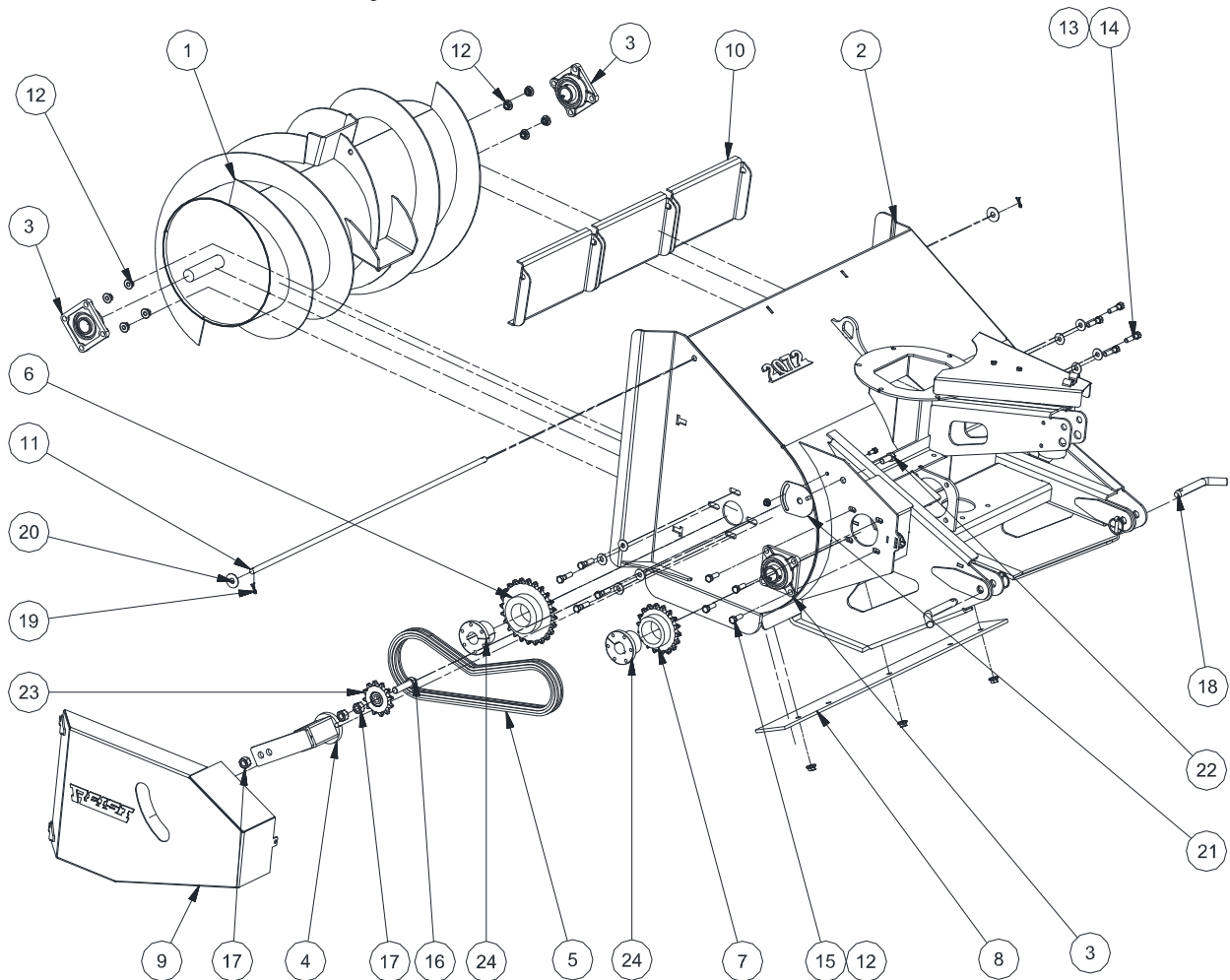
READ OPERATOR'S MANUAL BEFORE OPERATING

Do not operate equipment until you are completely trained by a qualified operator in how to use the controls, understand the machine's capabilities, dimensions, and all safety requirements. Refer to your operator's manual for these instructions.

- Do not operate an engine in confined or non-ventilated area
- Do not perform adjustments or repairs with the engine running
- Always lower raised equipment to the ground or securely support it to prevent unintentional movement
- Do not operate on excessive inclines or side slopes – know the limitations of the prime mover – be careful when turning on slopes as a rollover condition may exist
- Never carry passengers
- Keep bystanders away from the machine when in operation
- Know the area that the discharged snow is to be placed is free from hazards and that the discharged snow will not create a hazard
- Use caution when directing the discharge as hazardous objects (stones, ice, etc.) may inadvertently be discharged along with snow
- Know how to quickly stop the equipment and all rotating parts in the case of an emergency
- Stop the prime mover, lower implements and turn off the engine before dismounting
- Refer to the prime mover's Operator's Manual for additional information

PARTS

Main Thrower Assembly

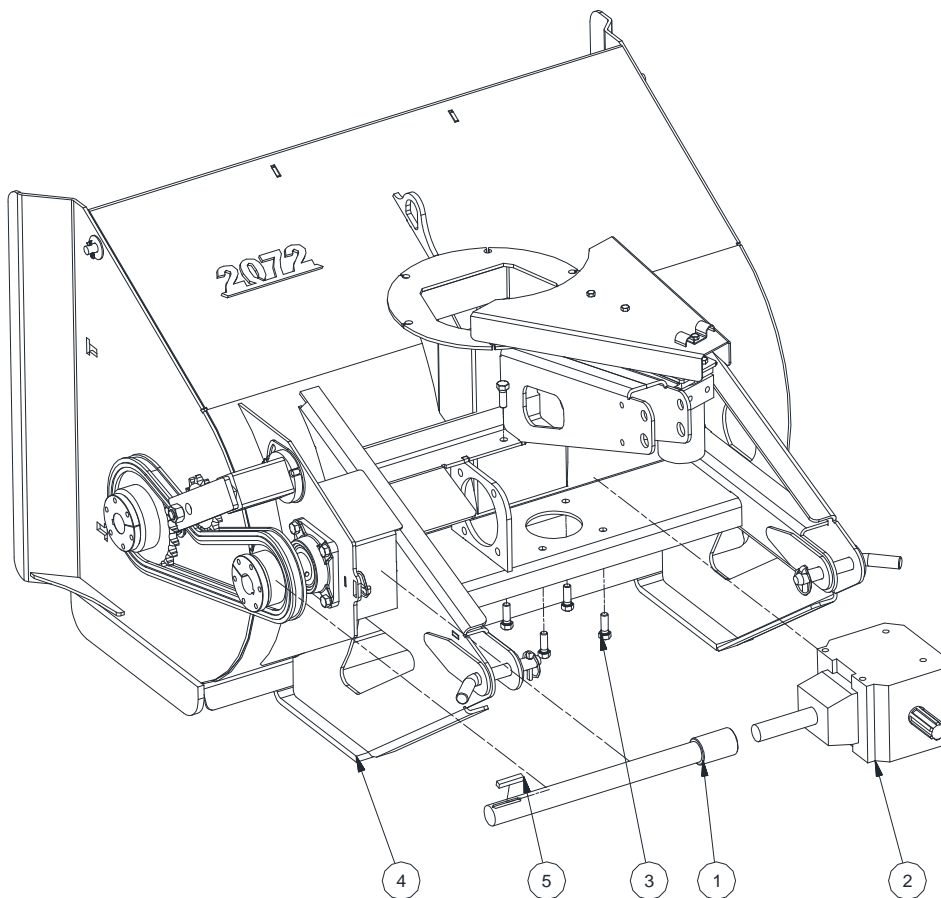


Parts List				Parts List			
ITEM	QTY	PART NUMBER	DESCRIPTION	ITEM	QTY	PART NUMBER	DESCRIPTION
1	1	2006 __	Single Stage Auger	13	8	12FW	Plain Washer
2	1	2005 __	Blower Frame Weldment	14	8	12*2	Hex Bolt
3	3	UCF208108	Bearing	15	4	12112	Hex Bolt
4	1	SE38	Tensioner	16	1	326-374 343	Threaded Bolt
5	1	80HRC	Roller Chain	17	3	34N	Hex Nuts
6	1	80Q24	Roller Chain Sprocket1	18	2	CAT1-784	Cat 1 Arm Pin
7	1	80Q18	Roller Chain Sprocket2	19	2	316112CP	Cotter Pins
8	1	2002 __	Cutting Edge	20	2	58F	Flat Washer
9	1	2115	Chain Shield	21	1	100369	Tightener Plate
10	3	2007 __	Slinger Shield	22	1	1640M	Metric Hex Bolt
11	1	2003 __	Slinger Shield Shaft	23	1	08012012	80 Idler Sprocket
12	18	12FSLN	Flange Nut	24	2	Q11-1/2	Q1 Bushing, 1.5" Bore

Note: For items 1,2,8,10,and 11, replace XX with '48,60, or 72' when ordering parts for a 48",60" or 72" Snow Thrower

PARTS

PTO Drive Option

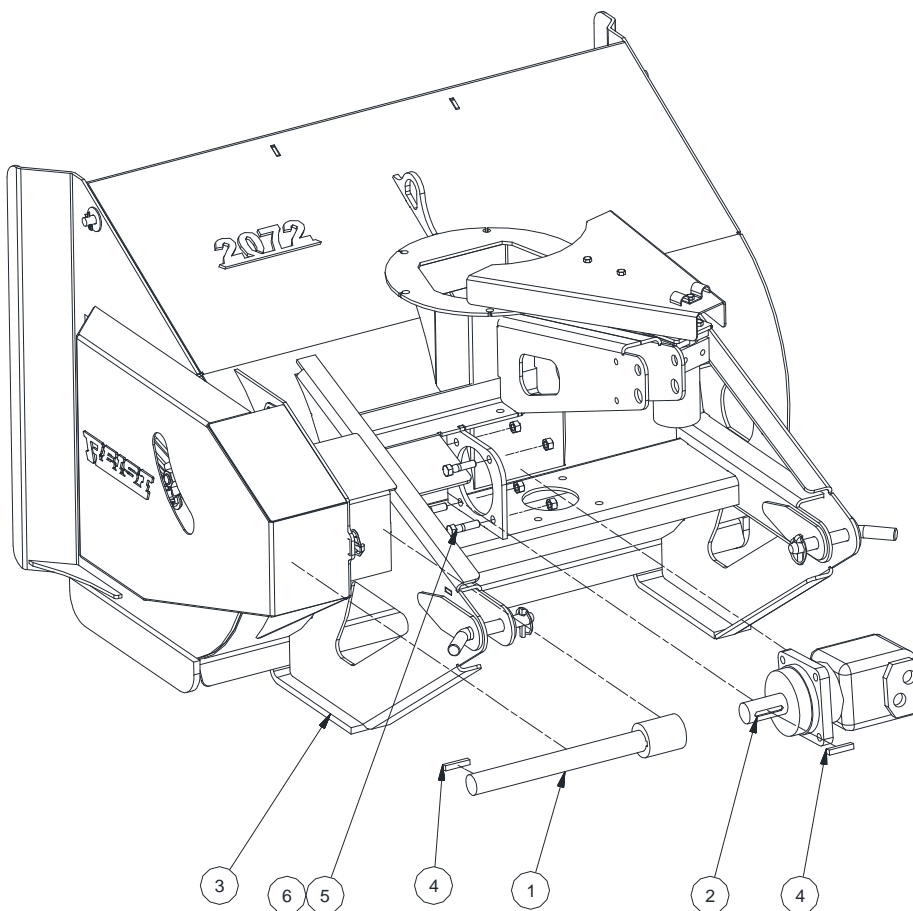


Parts List			
ITEM	QTY	PART NUMBER	DESCRIPTION
1	1	2004 __	Auger Drive Shaft
2	1	T-27D40	Gearbox
3	6	12112	Hex Bolt
4	1	20 __	Single Stage Blower
5	1	38KS2	38KS2

Note: For items 1, and 4, replace XX with '48,60, or 72' when ordering parts for a 48",60" or 72" Snow Thrower

PARTS

Hydraulic Motor Drive Option (6000 Series motor)

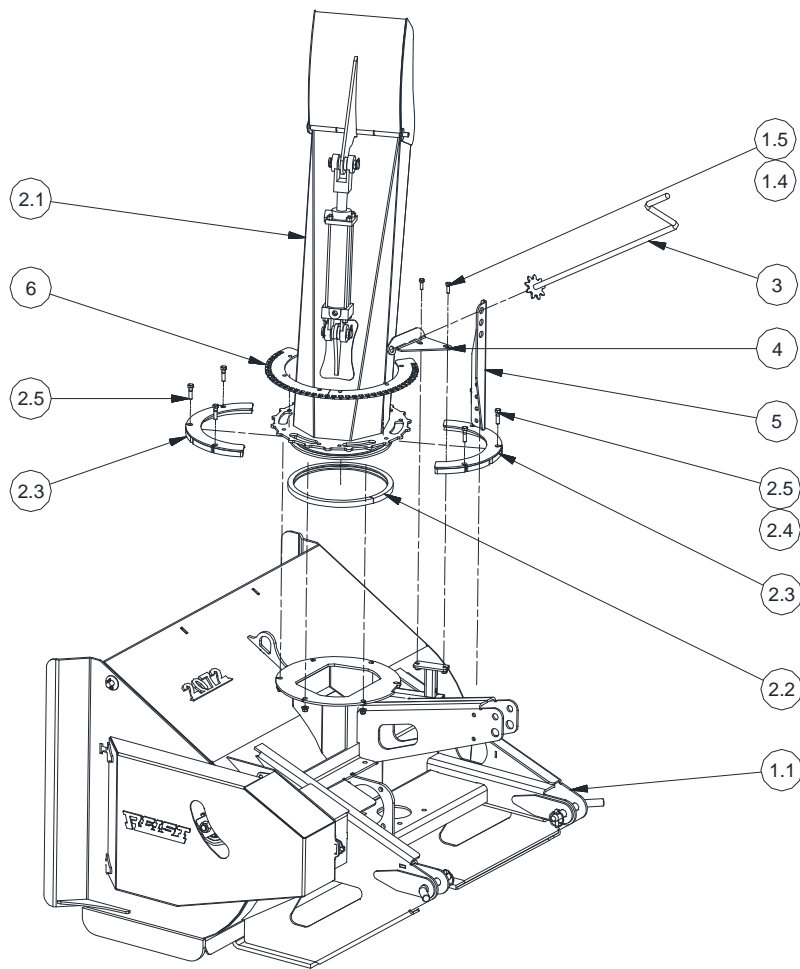


Parts List			
ITEM	QTY	PART NUMBER	DESCRIPTION
1	1	100374_XX	Auger Drive Shaft 6000 motor
2	1	6000 series	Oil Motor
3	1	20_XX	Single Stage Blower
4	2	38KS2	38KS2
5	4	12*2	Hex Bolt
6	4	12N	Hex Nut

Note: For items 1, and 3, replace XX with '48,60, or 72' when ordering parts for a 48",60" or 72" Snow Thrower

PARTS

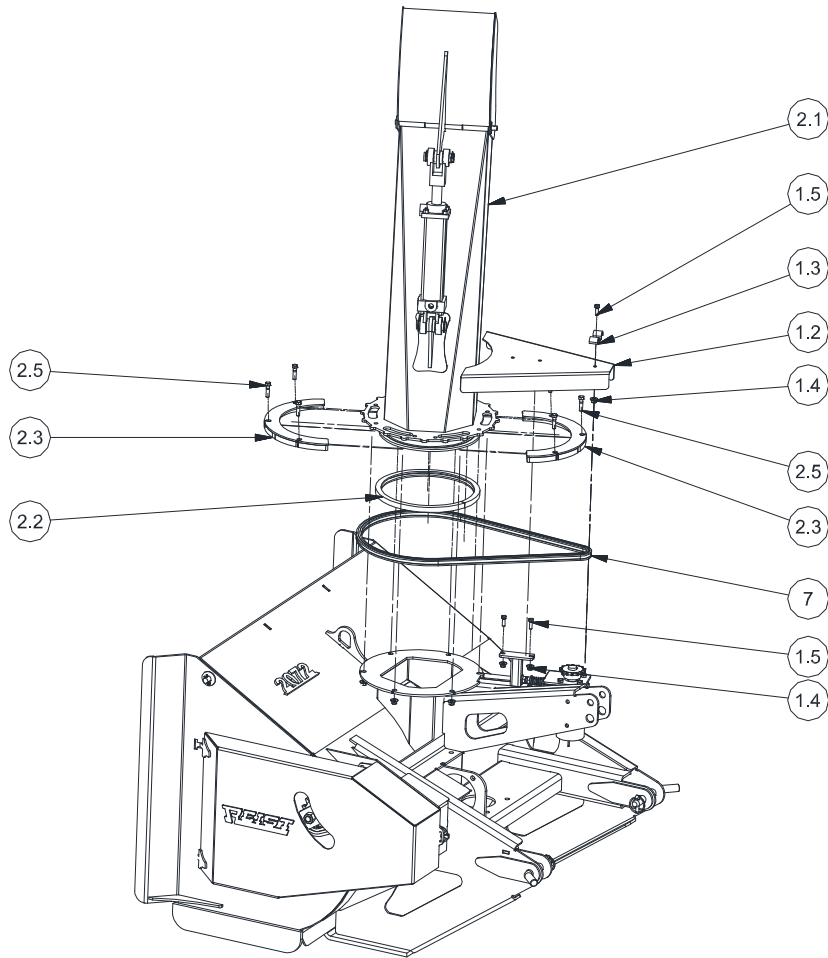
Manual Hood Turner



Parts List				Parts List			
ITEM	QTY	PART NUMBER	DESCRIPTION	ITEM	QTY	PART NUMBER	DESCRIPTION
1.1	1	2005 __	Blower Frame Weldment	2.4	6	38FSLN	Flange Nut
1.2	1	2118	Hyd Motor shield	2.5	6	38112	Hex Bolt
1.3	1	C-1039	Hose Clip	3	1	100370	Crank
1.4	4	38FSLN	Flange Nut	4	1	100371	Crank Mount A
1.5	3	516_1	Hex Bolt	5	1	100372	Crank Mount 2
2.1	1	2111	Square Hood Base	6	2	100373	Hood Gear Flange
2.2	1	5/8X5/8X38UHMW	UHMW ring	7	1	2050RC	Roller Chain
2.3	2	2113	Clamping Ring				

PARTS

Hydraulic Hood Turner



Parts List				Parts List			
ITEM	QTY	PART NUMBER	DESCRIPTION	ITEM	QTY	PART NUMBER	DESCRIPTION
1.1	1	2005__	Blower Frame Weldment	2.4	6	38FSLN	Flange Nut
1.2	1	2118	Hyd Motor shield	2.5	6	38112	Hex Bolt
1.3	1	C-1039	Hose Clip	3	1	100370	Crank
1.4	4	38FSLN	Flange Nut	4	1	100371	Crank Mount A
1.5	3	516_1	Hex Bolt	5	1	100372	Crank Mount 2
2.1	1	2111	Square Hood Base	6	2	100373	Hood Gear Flange
2.2	1	5/8X5/8X38UHMW	UHMW ring	7	1	2050RC	Roller Chain
2.3	2	2113	Clamping Ring				

WARRANTY INFORMATION

All new REIST machinery is warranted to be free from defects in material or workmanship, which may cause failure under normal usage and service when used for the purpose intended for a period of 12 months. This warranty applies only to a new REIST product, there being no warranty of any nature in respect to new products that have been modified or altered, repaired, neglected, or used in any way, which, in the opinion of REIST adversely affects its performance.

In the event of failure of a part or parts, and upon inspection, REIST is satisfied that failure is due to defective material or workmanship within 12 calendar months from the date of delivery to an end user, such defective part or parts will be repaired or replaced by REIST Industries Inc. It is the responsibility of the buyer, at his expense, to transport the machine or equipment to the manufacturer service shop or to an authorized service depot or, alternatively, to reimburse REIST for any travel or transportation expense involved in fulfilling this warranty.

When requested by REIST, part or parts shall be returned for inspection, transportation prepaid, to a place designated by REIST. IN NO EVENT SHALL THE BUYER BE ENTITLED TO RECOVER FOR INCIDENTAL OR CONSEQUENTIAL DAMAGES, INCLUDING, BUT NOT LIMITED TO, LOSS OF PRODUCT, INCONVENIENCE, RENTAL OR REPLACEMENT EQUIPMENT, LOSS OF PROFIT, OR OTHER COMMERCIAL LOSS.

This warranty becomes void and null if the equipment is modified, breaks down as the result of an accident, is not operated according to manufacturer's recommendations, damaged by negligence or if maintenance has not been carried out as specified.

THIS WARRANTY IS NOT TRANSFERABLE

Proof of Purchase – Retain for your records

Date of Purchase (yyyy/mm/dd)		Model	Serial #	
Dealer Purchased From		City	State or Province	Country
First Name		Last Name	Phone Number (include area code)	
Address			State or Province	Country
City	Postal Code	Return to: REIST Industries Inc. 100 Union St., Elmira, Ontario, Canada N3B 2Z2 (519) 669-1501		

Remove bottom section and return to REIST Industries within 30 days of purchase



Proof of Purchase

Date of Purchase (yyyy/mm/dd)		Model	Serial #	
Dealer Purchased From		City	State or Province	Country
First Name		Last Name	Phone Number (include area code)	
Address			State or Province	Country
City	Postal Code	Return to: REIST Industries Inc. 100 Union St., Elmira, Ontario, Canada N3B 2Z2 (519) 669-1501		

REIST Industries Inc.
100 Union Street
Elmira, Ontario, Canada
N3B 2Z2

